

# ABOX-E500

## Low power & Ultra slim industrial box computer

Intel Celeron J1900 low power processors, multiple expansion I/O design

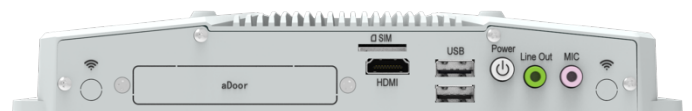
### Specification

V2.0

#### Key features:

- Intel® Baytrail J1900 low power quad-core processors;
- Integrated 2x Intel GLAN, support jumbo frame;
- 2x COM ports, support 1x RS485;
- 2x Display ports, 5x USB ports;
- Extreme slim design for embedded environment;
- Support WIFI/4G wireless expansion;
- 1 Standard aDoor expansion slots;
- DC 9~28v wide voltage power input support.

#### Product Image

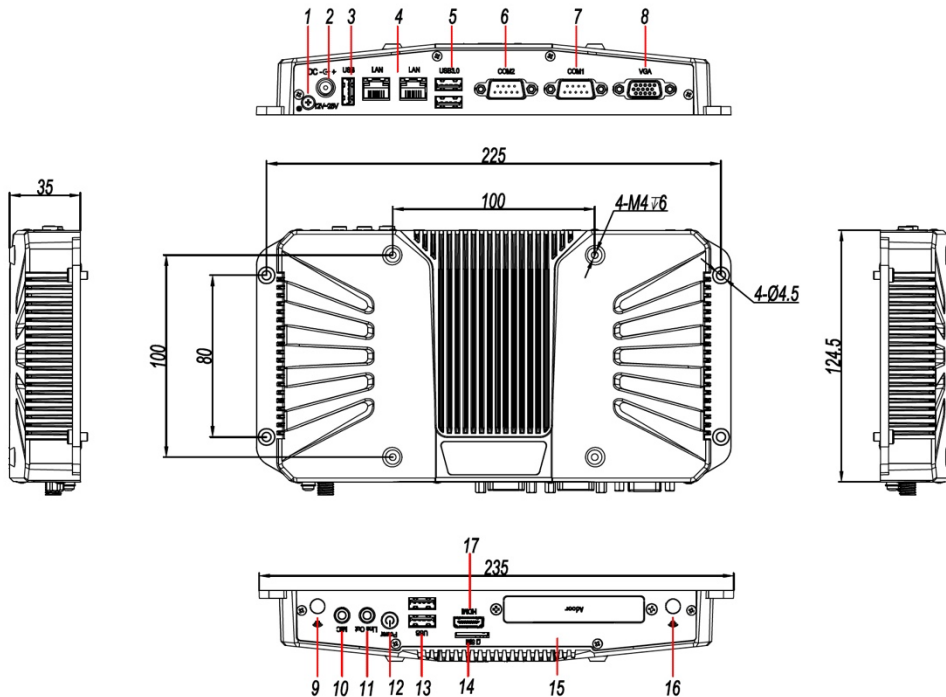


# Technical Data

System	
Processor	Intel® Celeron Baytrail J1900, Quad-core, 2.0Ghz CPU, TDP=10W (fan-less) SoC AMI SPI 64Mb, support ACPI, CPU temperature, system voltage monitoring
Memory	On-board 4G DDR3L-1600 Mhz
Storage	1x 2.5" SATA + 1x mSATA
Display	CPU integrated Intel® HD Graphics, support DirectX11 1 x HDMI (Max. support resolution: 1920 x 1200, @30Hz) 1 x VGA (Max. support resolution: 2048x1536)
Network	2 x Intel® I210-AT for 1000 Mbps 1 x Mini-PCIE (Half/ full, support 802.11b/g/n, 3G/4G, optional)
Audio	Realtek ALC662VD 1 x Mic-in + 1 x Audio-out
I/O	3 x USB 3.0 + 2x USB2.0 2 x DB9 RS232 (COM1 support RS485, photoelectric isolation)
Expansion I/O	1x Internal USB2.0 (Optional) 8 x GPIO ( 4 IN 4 OUT , DI low level, DO high level ) 1x Mini-PCIE for Wireless expansion 1x aDoor expansion slot
Power	DC Coaxial power outlet Default 12V 5A adapter, (DC 9~28V wide voltage power input)
LED/Switch	1 x power on button ( including status LED light )
Watchdog	Programmable 255 seconds
OS	Windows 7/8.1/10, windows embedded, Linux
Structure	
Box structure	Whole machine die-casting molding
Treatment	Spray-paint
Color	industrial grey color
Cooling	Fan-less design
Weight	1.1kg
Dimension	235mm(L) x 124.5mm(W) x 35mm(H)
Mounting	Desktop, wall mount, VESA mount (100 x 100mm)
Environmental	
Operation temp.	Operating temp. -20°C ~ + 60°C (industrial SSD)
Storage	Storage temp.: -40°C ~ +80°C
Humidity	10%~90%@40°C (non-condensation)
Vibration	SSD : 3Grms@5~500Hz , random , 1 hr/axis ;
Shock	10G/peak (11ms sec)

## Dimension & Interface

**ABOX-E500**



Interface specification

1:GND	2:DC IN	3:USB	4:LAN
5:USB3.0	6:COM	7:COM	8:VGA
9:WIFI	10:MIC	11:Line Out	12:Power
13:USB	14:SIM	15:Adoor	16:WIFI
17:HDMI			

## Ordering Information

Part no.	Description
ABOX-E500	Intel Baytrail J1900 processors, 4G memory, 2*GLAN, 5*USB, 2*COM, 1*HDMI, 1*VGA, DC 9~28V, PSU



The information in this specification is subject to change without notice.

All parts of Mainkco IPC documentation are protected by copyright law and all rights are reserved. This documentation may not, in whole or in part, be copied, photocopied, reproduced, translated, or reduced to any electronic medium or machine-readable form without prior consent, in writing, from TAICENN Technology.